



ZLH10504  
3K Hoist

## 3K STRAP HOIST OPERATION AND SAFETY GUIDE

SLINGCO PART NO. ZLH10504/ZLH10524



ZLH10524  
3K Hot Stick Operated Hoist

### **⚠ ATTENTION**

**READ** and **UNDERSTAND** all of the instructions and safety information in this manual before operating or servicing this tool.

Failure to read and understand these warnings and safe handling instructions could result in severe personal injury or death.

**KEEP THIS MANUAL WITH TOOL.**



Thank you for using Slingco® products. This manual must be read and understood prior to operating this product. Special attention should be paid to the section '**Safety Information**'.

This manual should be kept available to all operating and maintenance personnel.

Additional or replacement manuals may be obtained at no charge by contacting your local Slingco office.

## CONTENTS

SAFETY INFORMATION	3-5
PRODUCT DESCRIPTION	5
OPERATING INSTRUCTIONS	6-7
MAINTENANCE	7
PARTS GUIDE - ZLH10504	8-10
PARTS GUIDE - ZLH10524	11-13



# SAFETY INFORMATION

## ⚠ ATTENTION

**DO NOT** perform any service or maintenance on this tool other than described in this manual.

Read and follow the operator's manual before using this tool.

This manual should be kept available to all operating and maintenance personnel.

### ⚠ WARNING SAFETY SHOES REQUIRED



- Safety shoes required when using this product.

### ⚠ WARNING PINCH POINT HAZARD



- Keep hands away from hoist mechanism, or serious injury may occur.

### ⚠ WARNING HARD HAT REQUIRED



- **DO NOT** operate without proper head protection.

### ⚠ WARNING SAFETY GOGGLES REQUIRED



- **DO NOT** operate without eye protection, or serious injury may occur.

### ⚠ WARNING GLOVES REQUIRED



- **DO NOT** operate without proper hand protection.

### ⚠ WARNING SUSPENDED LOAD



- Heavy suspended objects can fall, causing property damage, severe injury, or even death.
- **DO NOT** stand under Strap Hoist.
- **DO NOT** lift or pull more than rated load.

### ⚠ WARNING ELECTRICAL SHOCK HAZARD



- This tool is **NOT** insulated.
- Failure to observe this warning could result in severe injury or death.

## SAFETY INFORMATION (CONT.)

### WORK AREA SAFETY

1. Keep the area around the equipment clean and free of obstruction.
2. Bystanders should stay clear of the work area to ensure safety.

### PERSONAL SAFETY

1. Stay alert while using the equipment to prevent serious injury. Do not use under the influence of drugs, alcohol or medications.
2. Do not wear loose hair or clothes that may get caught while the equipment is in operation.
3. Work safely. Ensure firm footing, be properly secured, and do not over-extend yourself while operating equipment.

### TOOL USE AND CARE

1. **DO NOT** use this tool if there are any abnormalities or damage to any of its components.
2. Inspect the tool before and after every use. Do not use this tool if it is damaged in any way. Ensure that all pins are secure.
3. When having the tool repaired, always use factory Slingco replacement parts. Tools must be serviced and/or repaired by Slingco or a factory authorized service center.

## SAFETY INFORMATION (CONT.)

### WARNINGS

Failure to observe any of the following warnings could result in severe injury or death.

- Do not use this hoist with damaged or worn strap.
- Do not operate the hoist with any extension or cheater bar. Only use Slingco provided handle for operation of hoist.
- Do not use the hoist to lift or support people.
- Protect the hoist strap from sharp objects, chemicals, excessive UV or anything else that could damage the integrity of the strap.
- Hoist is only to be operated in a straight line pull or lift hook-to-hook.
- Do not apply load to the tip of the hook or hook latch.
- Do not wrap web strap around object being pulled or lifted. Only use hooks for lifting or pulling.
- Do not attempt to free wheel hoist while under load.
- Do not let the strap overlap the teeth or sides of the drum. Web strap must be locked in the center of drum.
- Do not leave hoist unattended while loaded.
- Ensure all pawls are in place and all slack has been removed from strap prior to operation.
- Do not release the handle until operating stroke is completed and the handle is at rest.
- Do not allow more than one operator to pull on the handle at the same time.

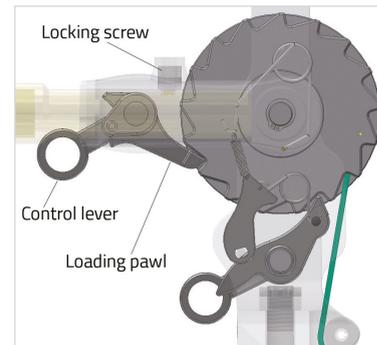
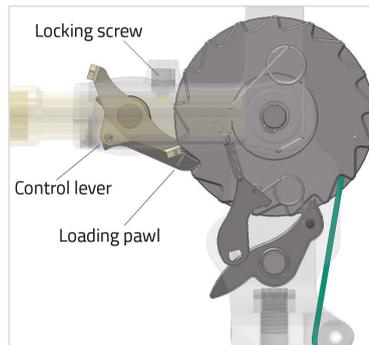
## DESCRIPTION

Slingco Part No.	Type	SINGLE LINE						DOUBLE LINE						Tool weight (lb) (kg)	
		Capacity (lb) (kg)		Lift (ft) (m)		Headroom (in) (mm)		Capacity (lb) (kg)		Lift (ft) (m)		Headroom (in) (mm)			
ZLH10504	Standard	1,500	680	10	3	21	533	3,000	1,360	5	1.5	25	635	11.25	5.1
ZLH10524	Hot stick operated	1,500	680	10	3	18	457	3,000	1,360	5	1.5	25	635	11.5	5.22

## OPERATING INSTRUCTIONS

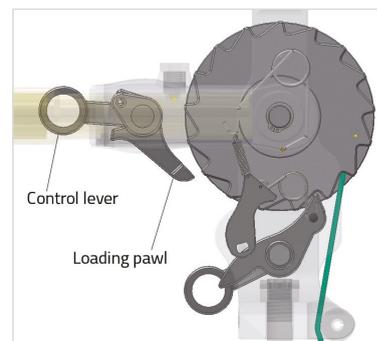
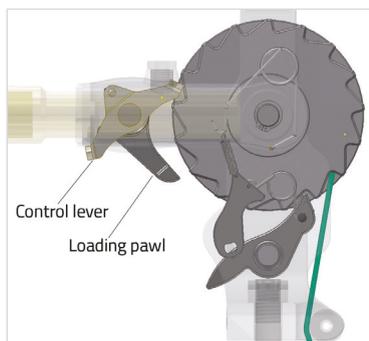
### LIFTING OR PULLING

Place the handle in the U-frame and engage the handle locking screw prior to operation. Place control lever perpendicular to the frame as pictured, engaging the loading pawl against the teeth of drum. Work the handle as required to get desired operation.



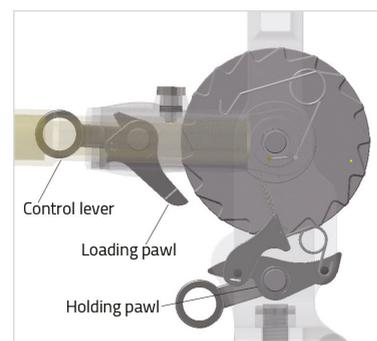
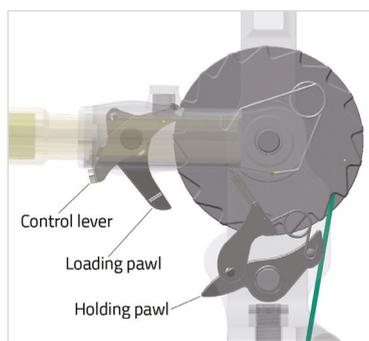
### LOWERING

Place control lever perpendicular to the frame as pictured. Operate the handle to its furthest down position until load is removed from holding pawl. Release downward pressure on handle slowly. The load will be lowered or released one notch on the drum at a time. Continue to lower or release load by repeating the operation. Lowering or releasing heavy loads is easier if a quick downward handle motion is used.



### FREEWHEELING

Place control lever perpendicular to the frame as pictured. Push spring loaded holding pawl into position. The strap can now be pulled from the drum to gain the length needed to reach the attachment point. Likewise, with the control lever in perpendicular position, excess slack may be removed and rewound onto the drum using the winding wheel.



## OPERATING INSTRUCTIONS (CONT.)

As already stated in *Safety Information*, do not use this tool if there are any abnormalities, or damage to any of the components. This includes any damage to hooks, frame, handle, pawls or strap. During inspection, operator should be looking for any signs of distortion, cracks or breaks to any metal parts. Strap should be inspected for cuts and frays, broken stitches or any UV or chemical breakdown or exposure. If anything listed is found, immediately tag and remove the tool from use. When repairing hoist use only factory Slingco parts. All warning and capacity labels should be on the hoist.

**Hoist should be inspected prior to and after each use.**

## MAINTENANCE

### STORAGE

While hoist is not in use, it is best to place the hoist in truck tool bins. Hang the hoist by the upper hook with the strap wound up to minimize exposure to any elements. If the strap becomes wet during work, it is best to let the strap dry prior to winding up.

### CLEANING

Cleaning your hoist is not typically necessary. But when the need arises, clean metal parts and web strap with mild soap or detergent and water. Be sure to allow strap to dry before winding the strap back up and beginning use again. After hoist has been cleaned, it must be lubricated.

### LUBRICATION

When lubricating any of the following, only apply small amounts, and take extra precautions not to allow any lubricants to contact strap.

While performing an inspection before and after use of the hoist, apply light grease (synthetic or lithium-based) to the contact points between loading pawl and pin.

The following parts should be lubricated with a motor oil (Aerokroil or equivalent is advised):

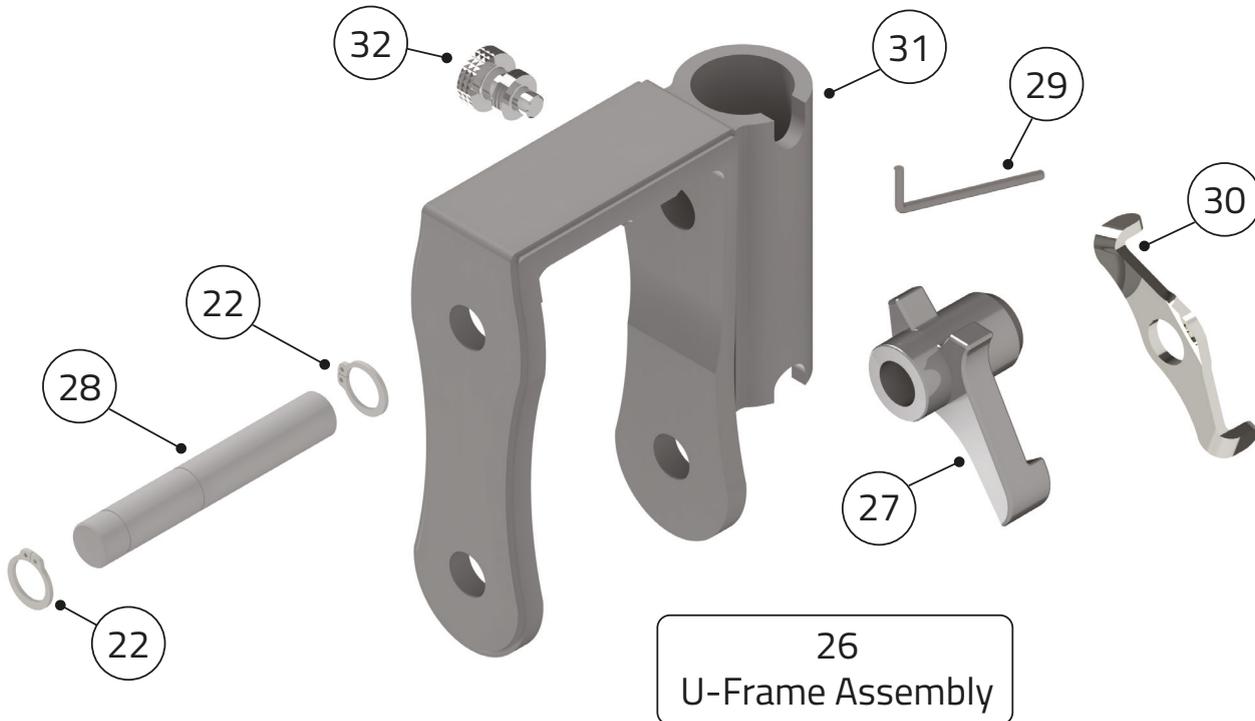
- Hook shank
- Rotating points of shafts, with the exception of the drum shaft

# PARTS LIST FOR ZLH10504 (3K HOIST)

Item	Slingco Part Number	Description	Qty
1	ZLH13609	Drum Casting	Pack of 1
2	ZLH13611	Web Strap	Pack of 1
3	ZLH13614	Holding Pawl With Pin	Pack of 10
4	ZLH13615	Holding Pawl Shaft	Pack of 1
5	ZLH13608	Nylon Wheel	Pack of 1
6	ZLH13610	Drum Shaft	Pack of 1
7	ZLH13745	Torsion Spring	Pack of 10
8	ZLH13620	Ø 0.125" x 1.25" Roll Pin	Pack of 20
9	ZLH13621	Ø 0.125" x 1.5" Roll Pin	Pack of 20
<b>10</b>	<b>ZLH13591</b>	<b>Main Frame Assembly</b>	<b>Pack of 1</b>
11	ZLH13560	3,300 lb (1,500 kg) WLL Hook	Pack of 1
12	ZLH13562	Eye Bolt	Pack of 1
13	ZLH13616	Main Frame Roller Guide	Pack of 1
14	ZLH13618	Ø 0.25" x 2" Roll Pin	Pack of 20
15	ZLH13622	9/16"-12 Hex Slotted Nut	Pack of 10
16	ZLH13619	Ø 0.125" x 0.875" Roll Pin	Pack of 20

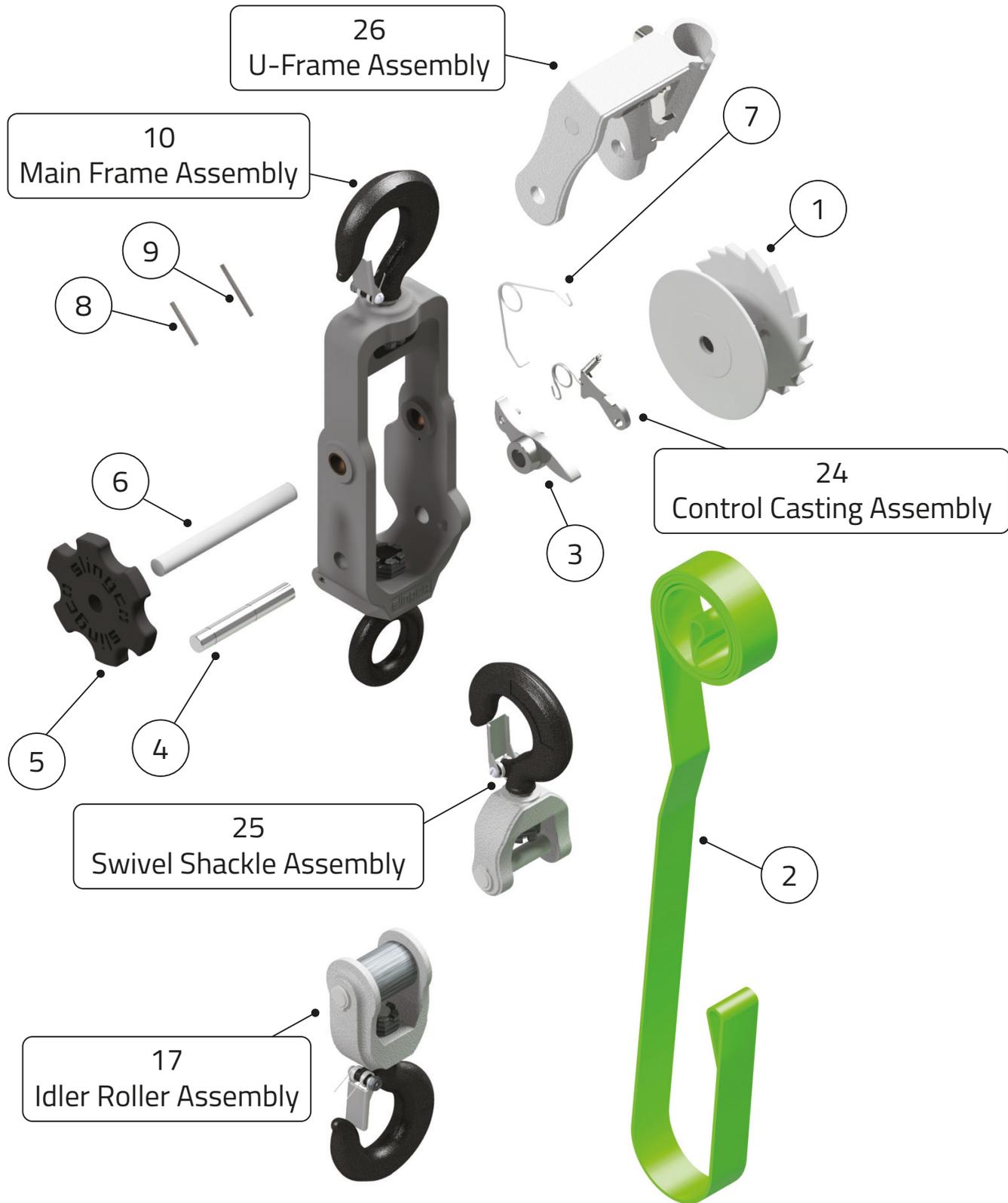
Item	Slingco Part Number	Description	Qty
<b>17</b>	<b>ZLH13593</b>	<b>Idler Roller Assembly</b>	<b>Pack of 1</b>
18	ZLH13599	Yoke Casting	Pack of 1
19	ZLH13597	Yoke Roller Shaft	Pack of 1
20	ZLH13598	Yoke Roller	Pack of 1
21	ZLH13561	Latch Spares Kit	Pack of 10
22	ZLH13617	Steel Retaining Ring	Pack of 20
<b>23</b>	<b>ZLH13596</b>	<b>Handle Assembly</b>	<b>Pack of 1</b>
<b>24</b>	<b>ZLH13595</b>	<b>Control Casting Assembly</b>	<b>Pack of 10</b>
<b>25</b>	<b>ZLH13594</b>	<b>Swivel Shackle Assembly</b>	<b>Pack of 1</b>
<b>26</b>	<b>ZLH13592</b>	<b>U-Frame Assembly</b>	<b>Pack of 1</b>
27	ZLH13563	Loading Pawl Casting	Pack of 10
28	ZLH13564	Loading Pawl Shaft	Pack of 1
29	ZLH13565	Reversing Spring	Pack of 10
30	ZLH13566	Control Lever	Pack of 10
31	ZLH13612	U-Frame Casting	Pack of 1
32	ZLH13613	Handle Locking Screw	Pack of 10

Note: Parts in bold can be purchased as full assemblies. Sub level parts which are used in these assemblies can be found underneath.

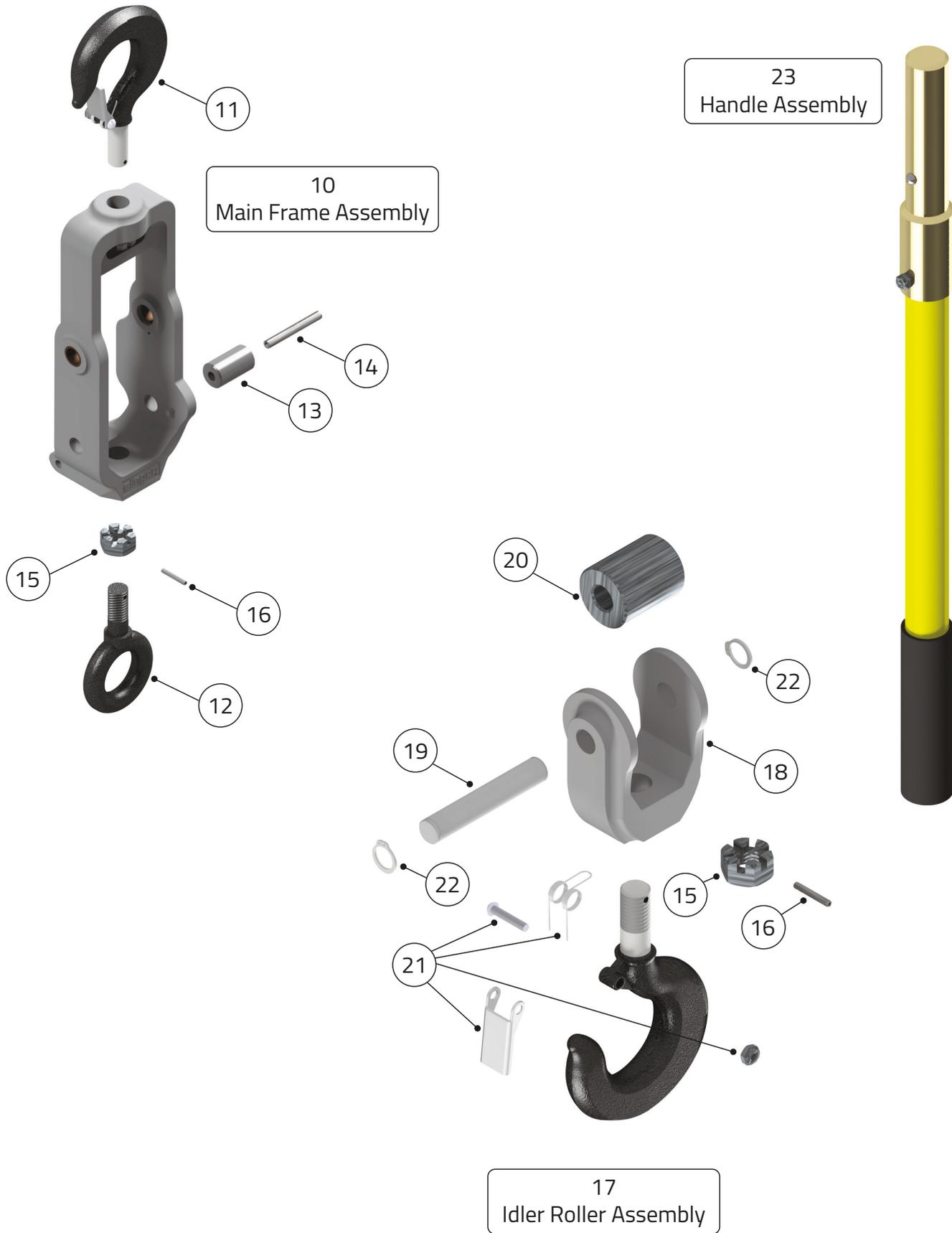




# PARTS LIST FOR ZLH10504 (3K HOIST) (CONT.)



# PARTS LIST FOR ZLH10504 (3K HOIST) (CONT.)

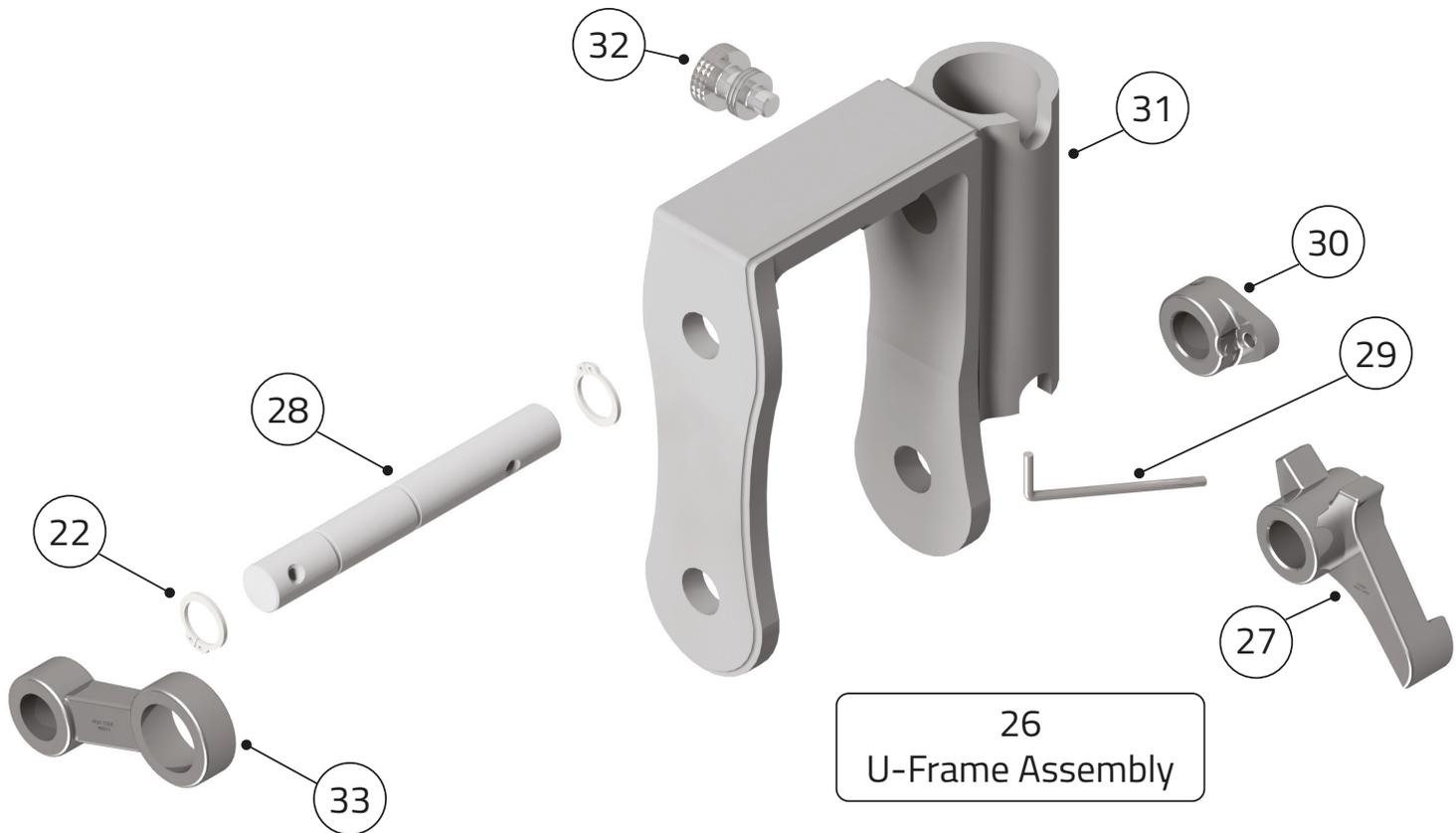


# PARTS LIST FOR ZLH10524 (3K HOT STICK OPERATED HOIST)

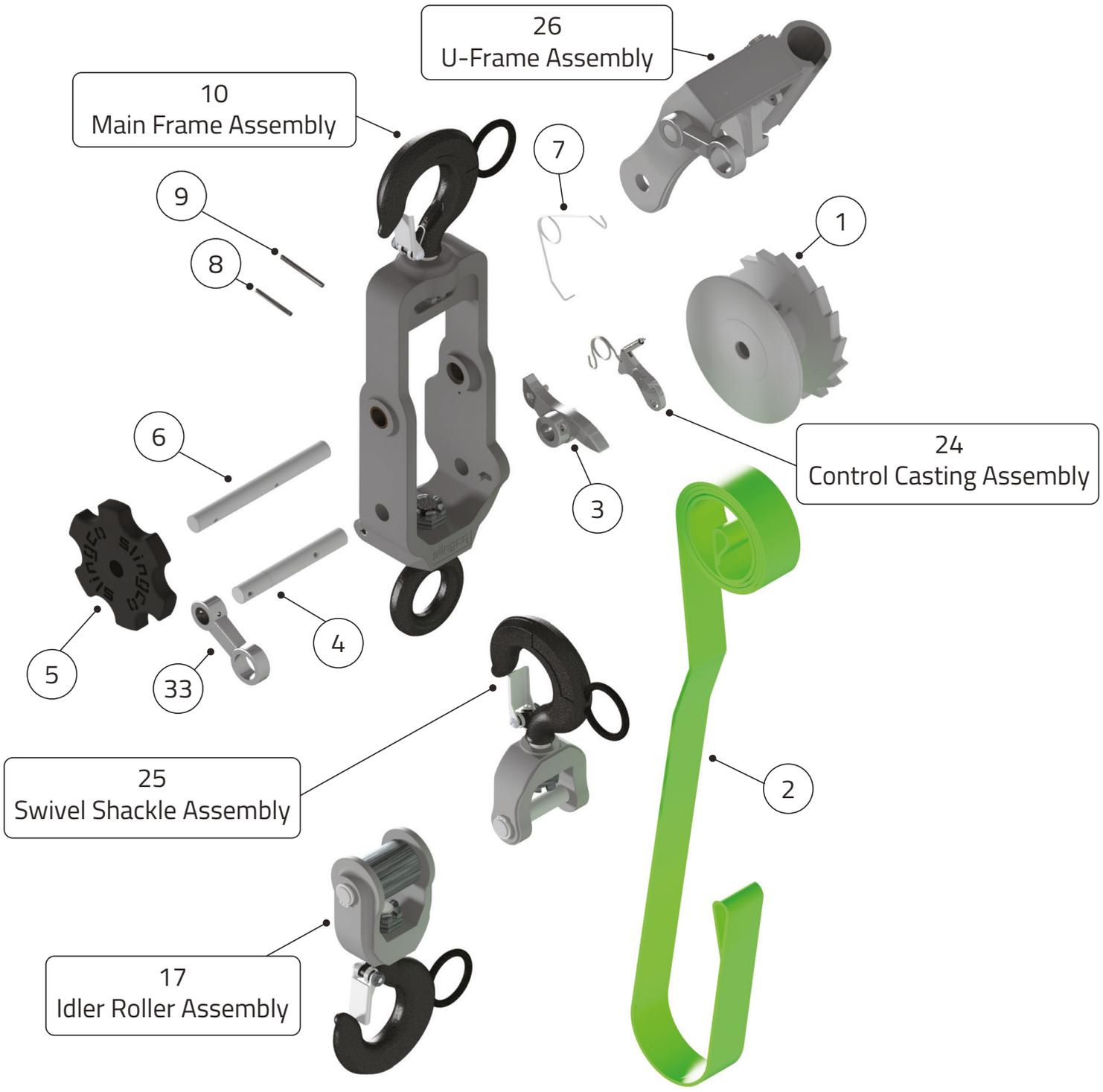
Item	Slingco Part Number	Description	Qty
1	ZLH13609	Drum Casting	Pack of 1
2	ZLH13611	Web Strap	Pack of 1
3	ZLH13926	Holding Pawl With Pin	Pack of 10
4	ZLH13919	Holding Pawl Shaft	Pack of 1
5	ZLH13608	Nylon Wheel	Pack of 1
6	ZLH13610	Drum Shaft	Pack of 1
7	ZLH13745	Torsion Spring	Pack of 10
8	ZLH13620	Ø 0.125" x 1.25" Roll Pin	Pack of 20
9	ZLH13621	Ø 0.125" x 1.5" Roll Pin	Pack of 20
<b>10</b>	<b>ZLH13920</b>	<b>Main Frame Assembly</b>	<b>Pack of 1</b>
11	ZLH13921	3,300 lb (1,500 kg) WLL Hook With Rings	Pack of 1
12	ZLH13562	Eye Bolt	Pack of 1
13	ZLH13616	Main Frame Roller Guide	Pack of 1
14	ZLH13618	Ø 0.25" x 2" Roll Pin	Pack of 20
15	ZLH13622	9/16"-12 Hex Slotted Nut	Pack of 10
16	ZLH13619	Ø 0.125" x 0.875" Roll Pin	Pack of 20

Item	Slingco Part Number	Description	Qty
<b>17</b>	<b>ZLH13927</b>	<b>Idler Roller Assembly</b>	<b>Pack of 1</b>
18	ZLH13599	Yoke Casting	Pack of 1
19	ZLH13597	Yoke Roller Shaft	Pack of 1
20	ZLH13598	Yoke Roller	Pack of 1
21	ZLH13561	Latch Spares Kit	Pack of 10
22	ZLH13617	Steel Retaining Ring	Pack of 20
<b>23</b>	<b>ZLH13929</b>	<b>Handle Assembly</b>	<b>Pack of 1</b>
<b>24</b>	<b>ZLH13595</b>	<b>Control Casting Assembly</b>	<b>Pack of 10</b>
<b>25</b>	<b>ZLH13928</b>	<b>Swivel Shackle Assembly</b>	<b>Pack of 1</b>
<b>26</b>	<b>ZLH13922</b>	<b>U-Frame Assembly</b>	<b>Pack of 1</b>
27	ZLH13924	Loading Pawl Casting	Pack of 10
28	ZLH13925	Loading Pawl Shaft	Pack of 1
29	ZLH13565	Reversing Spring	Pack of 10
30	ZLH13923	Control Lever	Pack of 10
31	ZLH13612	U-Frame Casting	Pack of 1
32	ZLH13613	Handle Locking Screw	Pack of 10
33	ZLH13918	Hot Stick Lever	Pack of 1

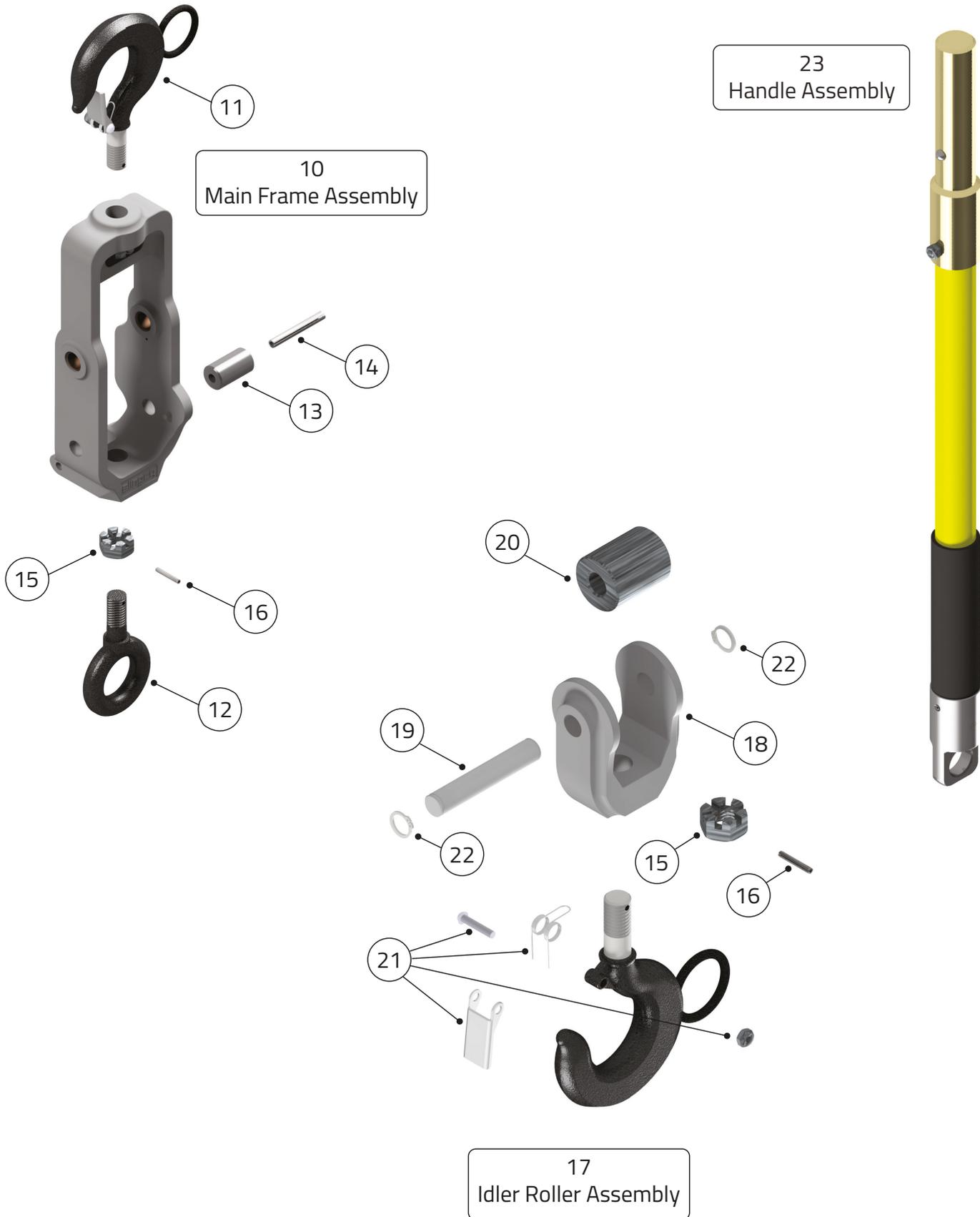
Note: Parts in bold can be purchased as full assemblies. Sub level parts which are used in these assemblies can be found underneath.



# PARTS LIST FOR ZLH10524 (3K HOT STICK OPERATED HOIST) (CONT.)



# PARTS LIST FOR ZLH10524 (3K HOT STICK OPERATED HOIST) (CONT.)









## **⚠ ATTENTION**

**READ** and **UNDERSTAND** all of the instructions and safety information in this manual before operating or servicing this tool.

Failure to read and understand these warnings and safe handling instructions could result in severe personal injury or death.

**KEEP THIS MANUAL WITH TOOL.**



**Slingco America, Inc.**  
130 Celtic Blvd, Tyrone,  
Georgia, 30290, USA  
TOLL FREE: 888 685 9478  
Fax: 888 728 4047  
sales@slingcoamerica.com

**888-685-9478**

**Slingco Limited**  
Gateway Business Park,  
New Hall Hey Road,  
Rawtenstall, BB4 6JG, England  
Tel: +44 [0]1706 855558  
sales@slingco.com

**+44 [0]1706 855558**

**slingco.com**

Strap Hoist Manual: MAN11465 – RevA Date 25 February 2023

Slingco makes no warranty, express or implied, with respect to this product nor with respect to its specifications. In no event shall Slingco be liable for any direct, indirect, punitive, incidental, special consequential damages to property or life, whatsoever, arising out of or connected with the use or misuse of this product. This product is intended for use by qualified professionals having adequate knowledge of its proper use. February 2023 - v1.2