

TIE DOWN

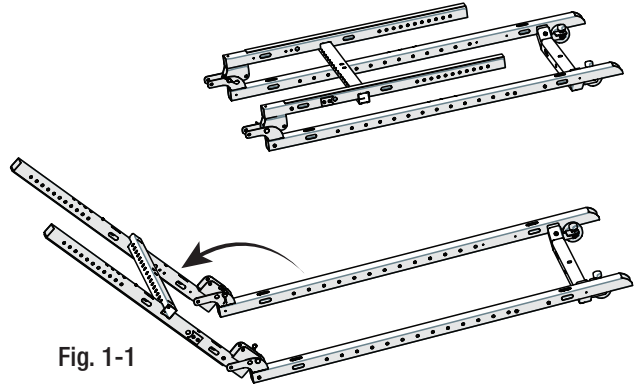
S A F E T Y

TranzVolt G2 Solar Tilt Back Platform Model #40676

The fully assembled tracks and TranzVolt should be located in its final work space and fully secured at the top of the roof. The solar platform will require minor assembly out of the box and some reassembly from job site to job site.

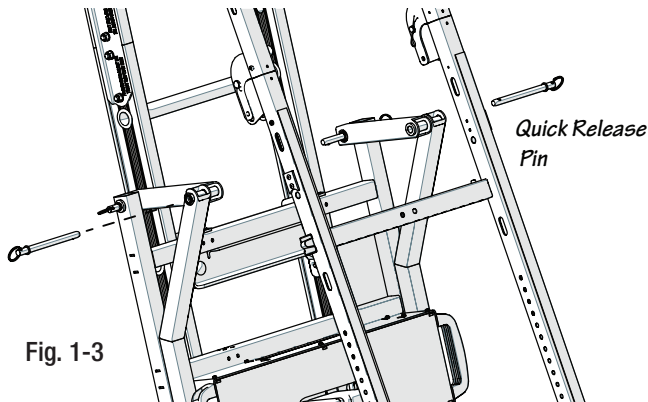
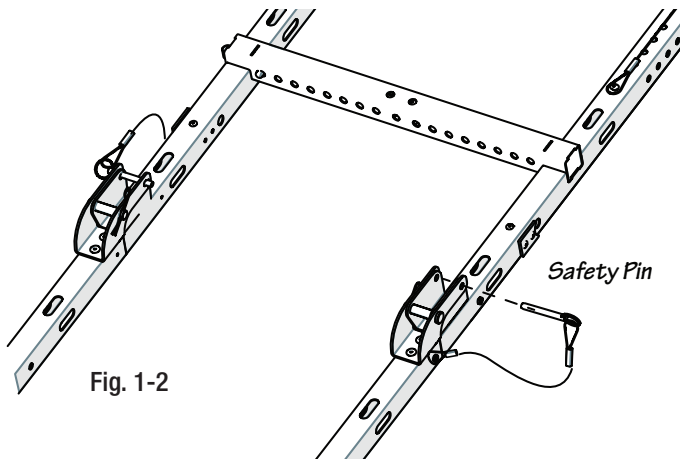
STEP 1 Solar Tilt Back Platform Assembly

- Remove the tilt back assembly and all hardware from the box.
- Lay the tilt back assembly flat on the ground with the pivot hinge upward and the top rollers on the ground. Lift and flip the lower hinged tilt back section 180 degrees so it lays flat on the ground surface. See Fig 1-1.
- Insert the tethered safety pins in the pivot hinge locking the frame in place. See Fig. 1-2.



STEP 2 Mounting the Solar Platform

- It is recommended that two workers mount the solar platform.
- Position the solar platform vertically in line with the ladder tracks.
- Align the pivot mounting holes on the solar platform (just below the frame hinge) with the front mounting holes on the carriage frame as shown in Fig. 1-3.
- Insert quick release pins on each side of the carriage frame/ solar platform.



MADE
★ IN THE ★
USA



TranzVolt G2
Operations
Manual

WARNING: This product can expose you to chemicals including Nickel, which is known to the State of California to cause cancer. For more information go to: www.P65Warnings.ca.gov

Instruction #08430 (E1939 - Rev. 10/7/22)

TIE DOWN
MANUFACTURING INGENUITY

404-344-0000 • www.tiedown.com
605 Stonehill Drive SW, Atlanta, GA 30336
sales@tiedown.com

STEP 3 Mounting the side arms and panel rest

- Using the spring button located on the end of the side arm, slide the side arm into the side of the solar panel frame. Adjust to desired position. See Fig. 2-2. Repeat on the opposite side.
- Slide panel rest into the bottom of the frame adjust to your desired position. Secure with safety pin. See Fig. 2-3.

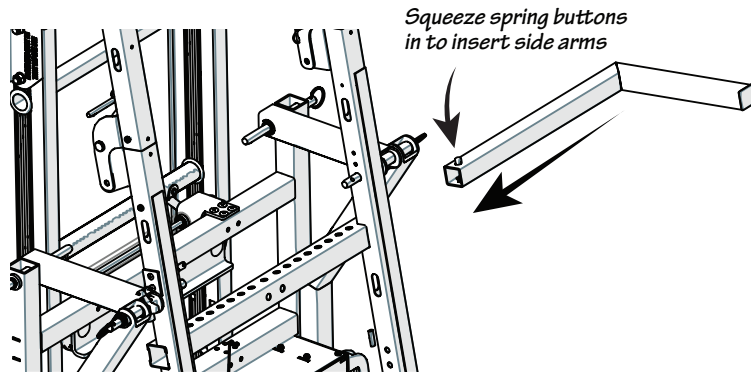


Fig. 2-2

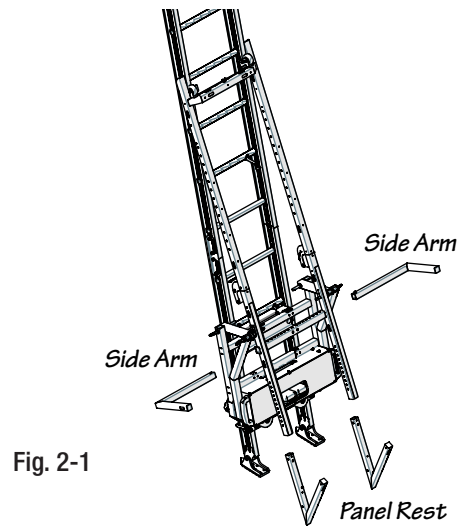


Fig. 2-1

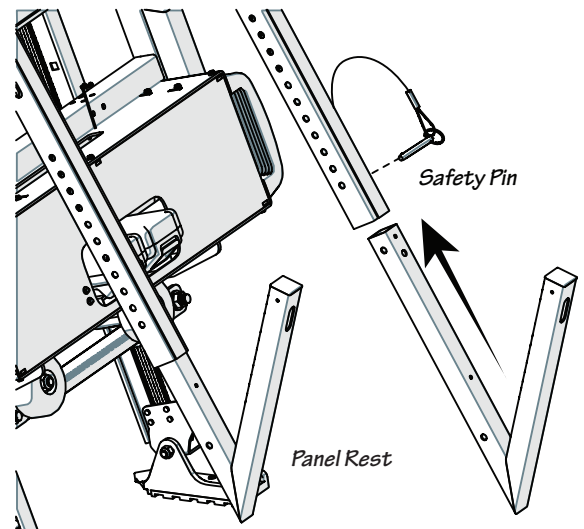


Fig. 2-3

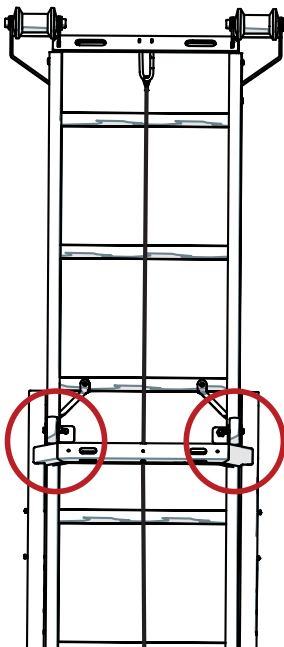


Fig. 2-4

Before using the TranzVolt double check and make sure that the wheels on the panel frame align with the track. See Fig. 2-4.

Test run the full TranzVolt by raising the platform making sure the top tilt back rollers ride along the tracks and the platform tilts downward as it reaches the top cap in a smooth operation.

The Solar Tilt Back Platform is ready to use.